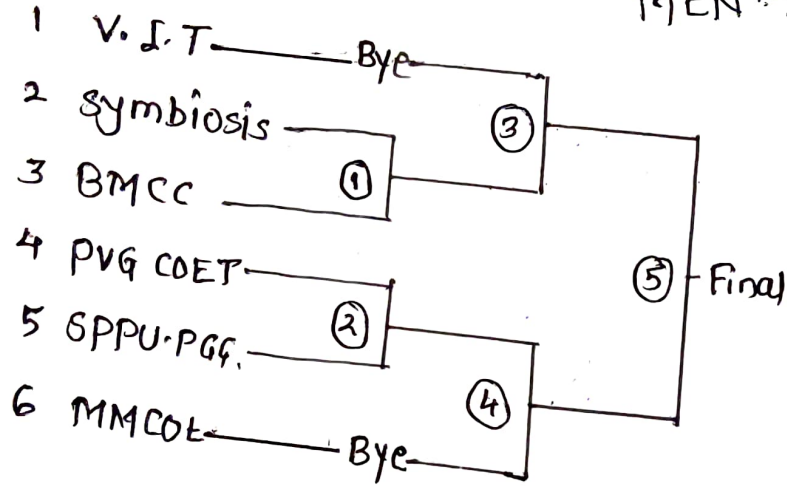


PUNE CITY ZONAL SPORTS COMMITTEE, PUNE
 INTER COLLEGIATE LAWN TENNIS TOURNAMENT-2022-23
 MEN - DRAWS





Date - 3/11/2022
 Venue - Ferguson
 Reporting Time - 9.00am


Eligibility Submission - 1/11/2022


WOMEN - Reported Team - Matches will be played
 On Roundrobin basis

- ① Modern-S
- ② Symbiosis
- ③ Cummins


 Prof. Madhukar Pandkar


 Dr. M. R. Gaikwad


 Prof. Aniruddha Sharma
 J.C. Secretary


 Prof. Gautam Sonawane
 Org. Secretary