

PUNE CITY ZONAL SPORTS COMMITTEE, PUNE
 INTER COLLEGIATE BASKETBALL (MEN) TOURNAMENT-2018-19.
 DRAWS.

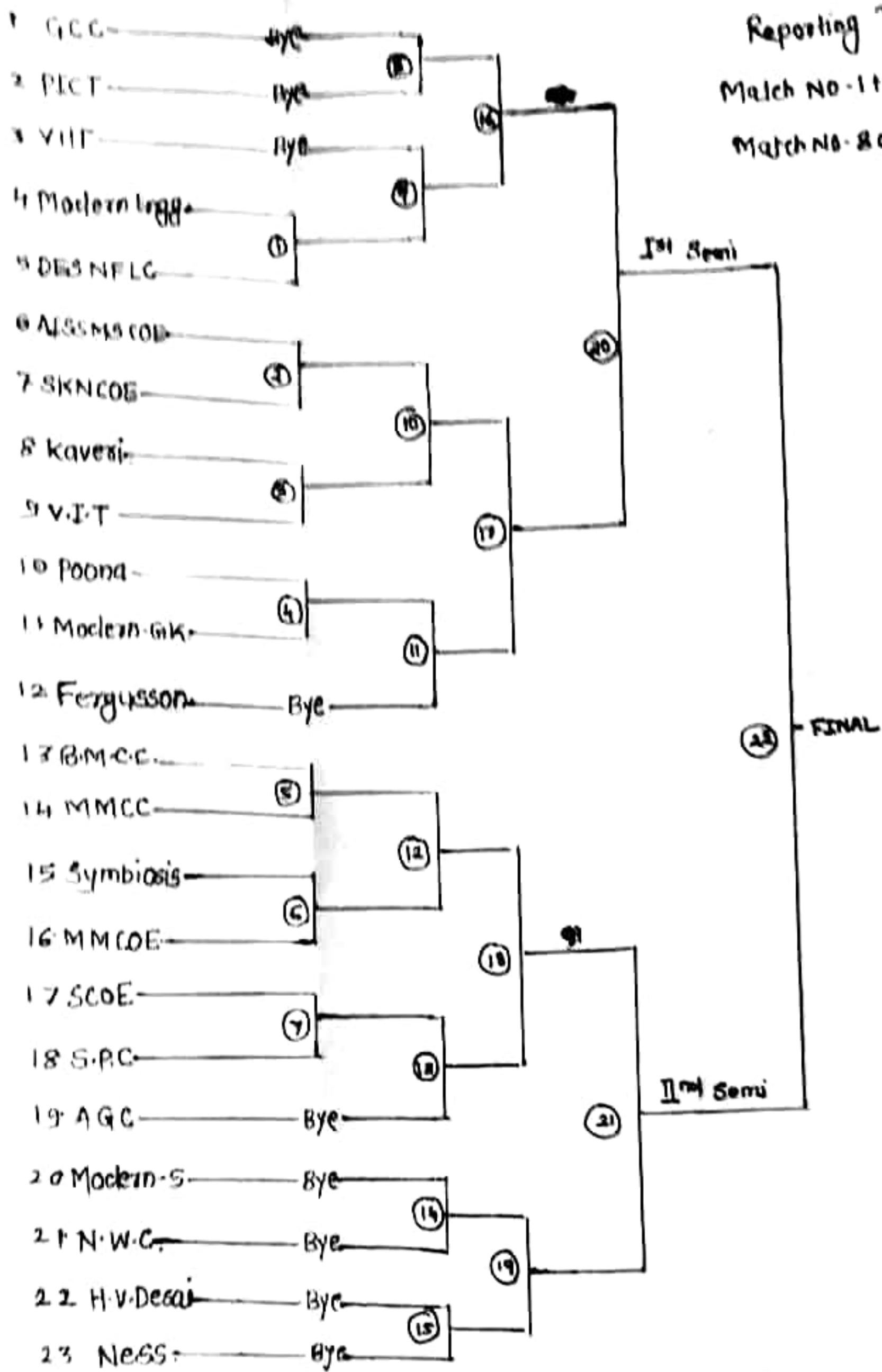
Date 7th Sept 2018

Time - 6 A.M.

Reporting Time

Match No-1107 - 7.30 a.m.

Match No-8 onwards - 9.30 a.m.



Prof. Madhukar Pandkar
 Ez. Member

Prof. Umesh Bibave
 J/c Secretary

Prof. Dr. Sudam Shelke
 J/c Secretary

Prof. Shrihari More
 Org. Secretary