



प्राचार्य डॉ. आफताब अन्वर शेख
अध्यक्ष

प्राचार्य डॉ. शोभा इंगवले
कार्यध्यक्ष

प्रा. डॉ. अयाज हुसेन शेख
सचिव

INTER COLLEGIATE TABLE TENNIS TOURNAMENT 2018-19

ORGANIZING COLLEGE: - MMCOE

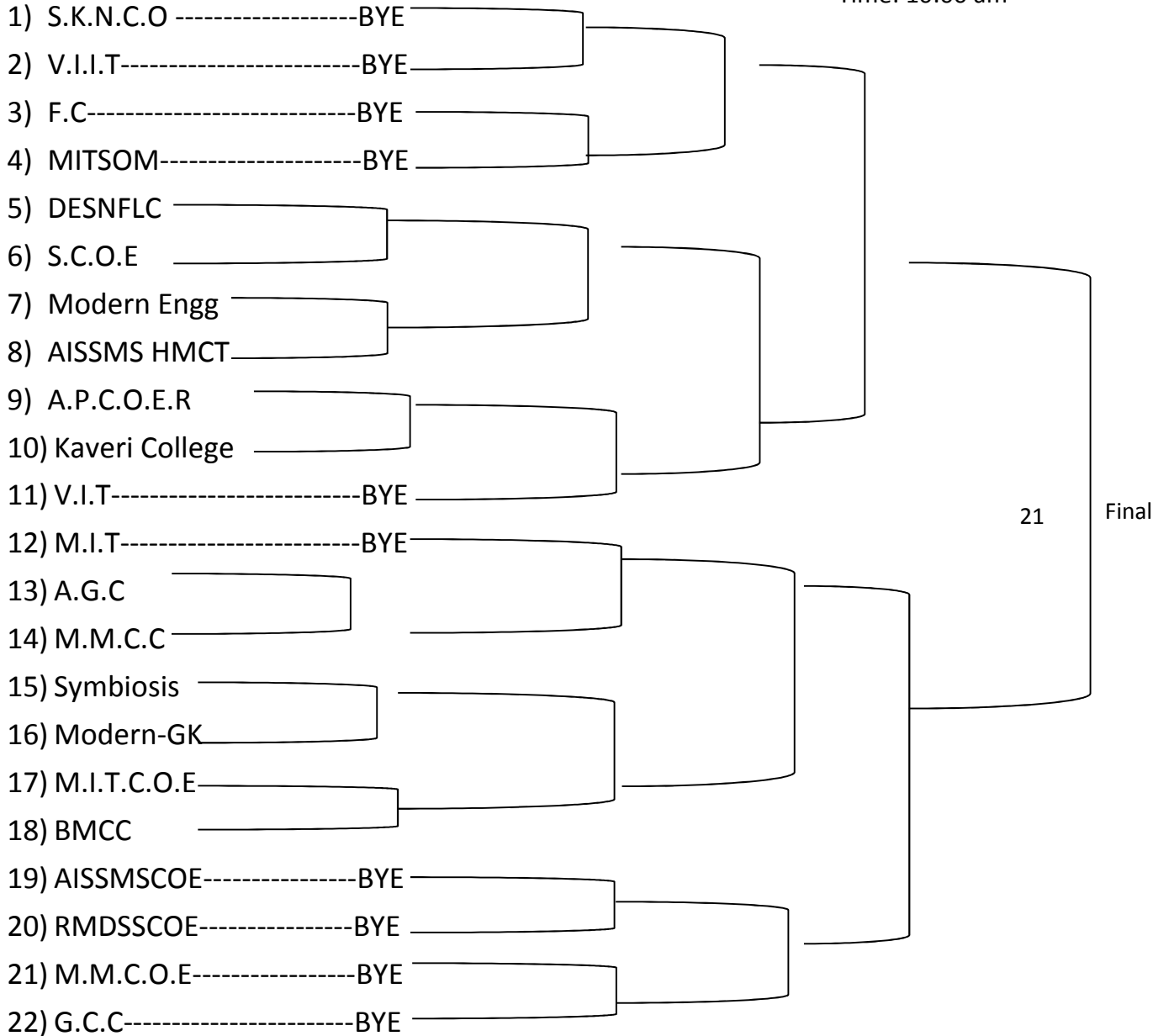
ORGANIZING SECRETARY: - PROF. TUSHAR GUJAR

Draws: Table Tennis (Men)

Date:-16/08/2018

Venue:- MMCOE karvenagar,Pune

Time: 10:00 am



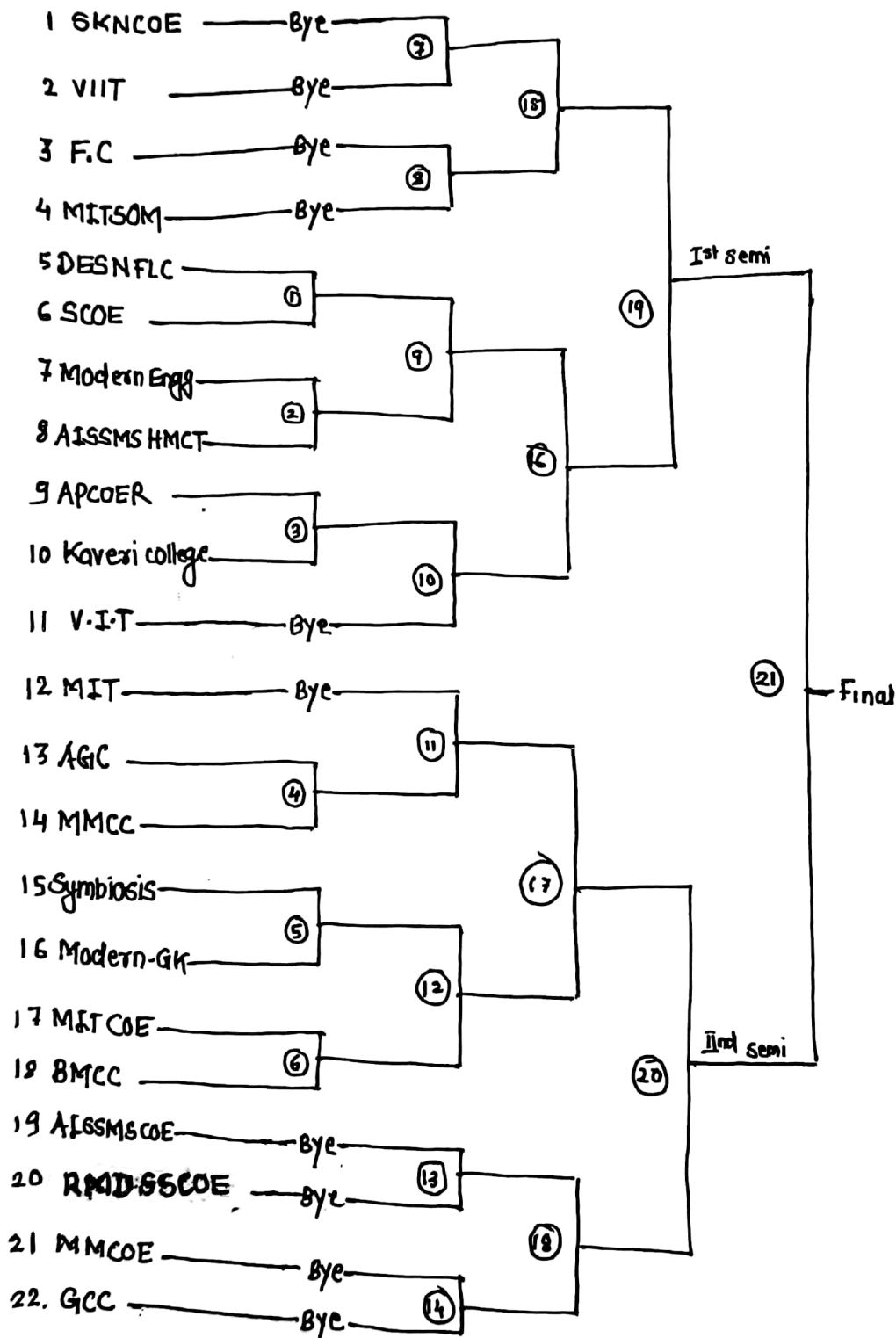
Dr. Sudam Shelke
I/C Secretary

Tushar Gujar
Organizing Secretary

PUNE CITY ZONAL SPORTS COMMITTEE, PUNE
INTER COLLEGIATE TABLE TENNIS TOURNAMENT - 2018-19
MEN - DRAWS.

Date 16th Aug 2018
 Reporting Time - 10.00 am .

Venue :- MMCOE,
 Karvenagar Pune.



M. Pandkar
 Prof. Madhukar Pandkar.
 Ex. Member

P. Umesh
 Prof. Umesh Bibave
 ETC Secretary

S. Sudam
 Prof. Sudam Shelke
 ETC Secretary

T. Tushar
 Prof. Tushar Gujar
 Org. Secretary

* Eligibility forms should be submitted on or before 14/8/2018 at MMCOE