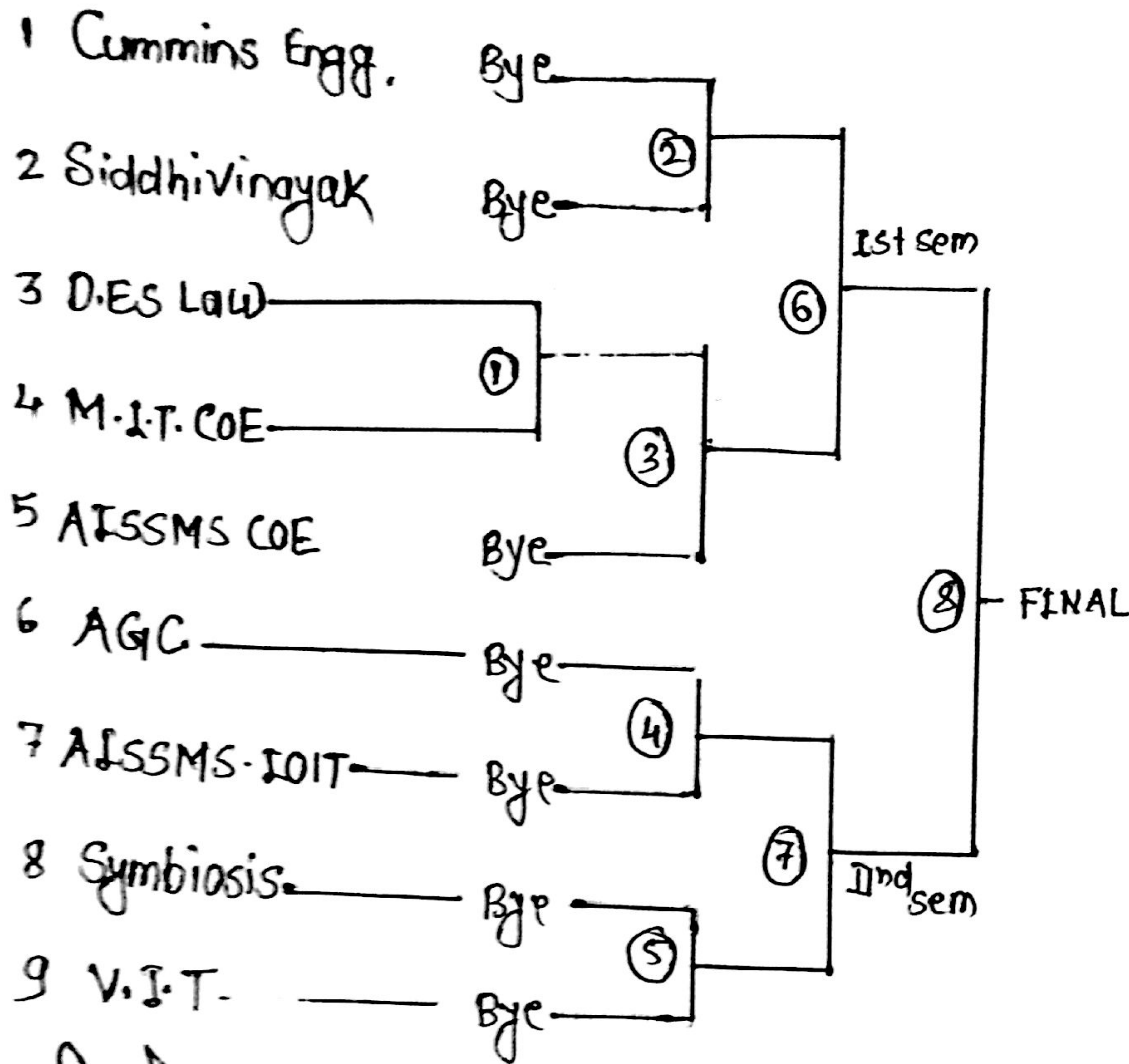


PUNE CITY ZONAL SPORTS COMMITTEE, PUNE
 INTER COLLEGIATE TABLE TENNIS TOURNAMENT- 2016-2017
 WOMEN - DRAWS

Venue. MITSOM-COLLEGE

Date. 6.8.2016
 Reporting Time. 8.30am



M. Patil

S. Barbade
 Prof. (Mrs) Shalini Barbade
 Interzone Secretary

P. G. Dhare
 Prof. P. G. Dhare
 H.C. Secretary

G. Pawar
 Prof. G. Pawar
 H.C. Secretary

S. Shinde
 Prof. Sachin Shinde
 Organising Secretary