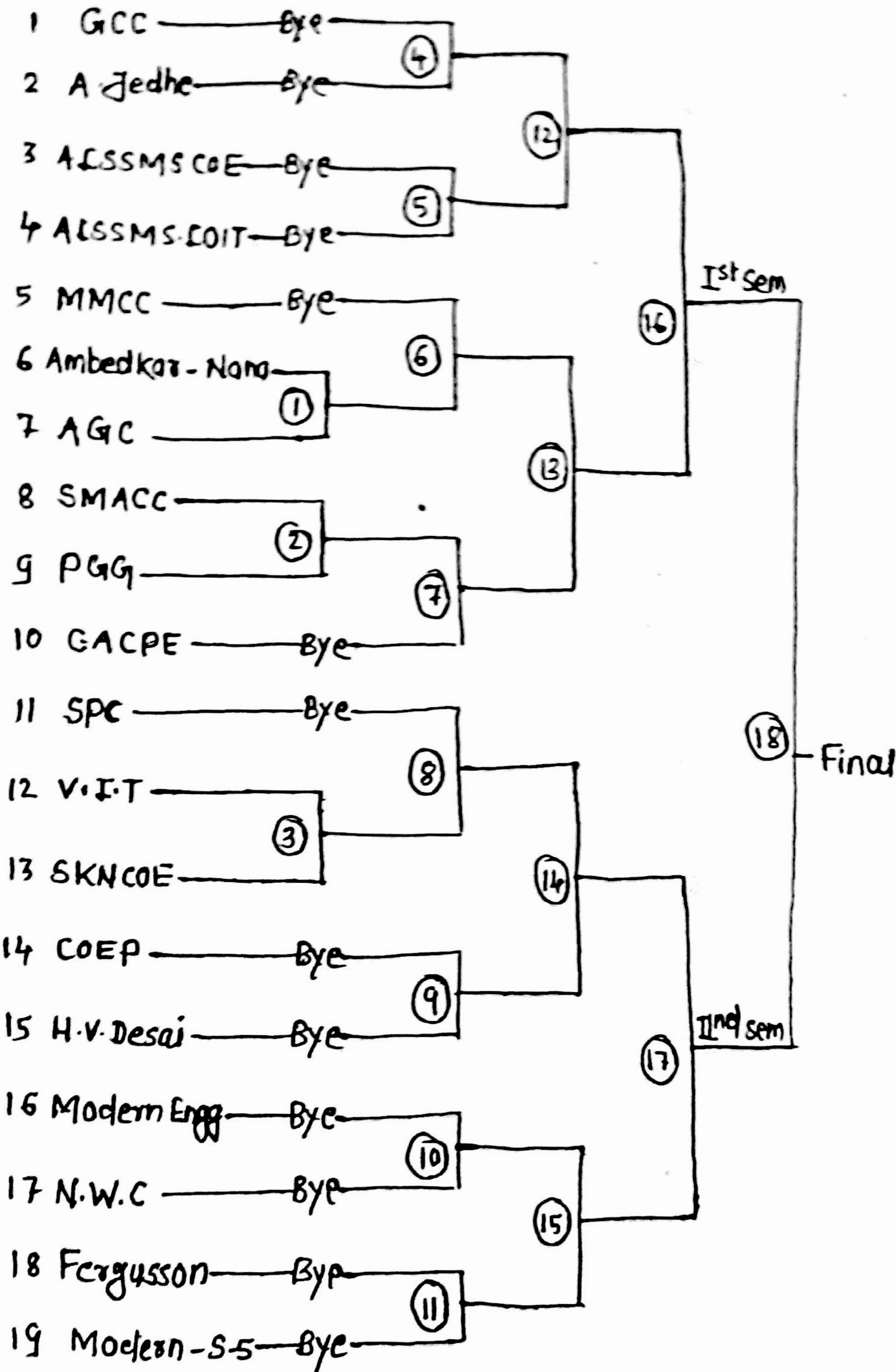


PUNE CITY ZONAL SPORTS COMMITTEE, PUNE
INTER COLLEGIATE KHO-KHO TOURNAMENT- 2015-2016
MEN - DRAWS

Date - 1st Oct 2015
 Venue - S.P. College
 Time - 8.00 am



M. A. Pandkar
 Prof. M.A. Pandkar
 Ex. Member

Asha Bengle
 Prof (Dr) Asha Bengle
 H.C Secretary

B. S. Bhave
 Prof. B.S. Bhave
 Secretary

Raghav Ashri
 Prof. Raghav Ashri
 Org. Secretary

1/10/15