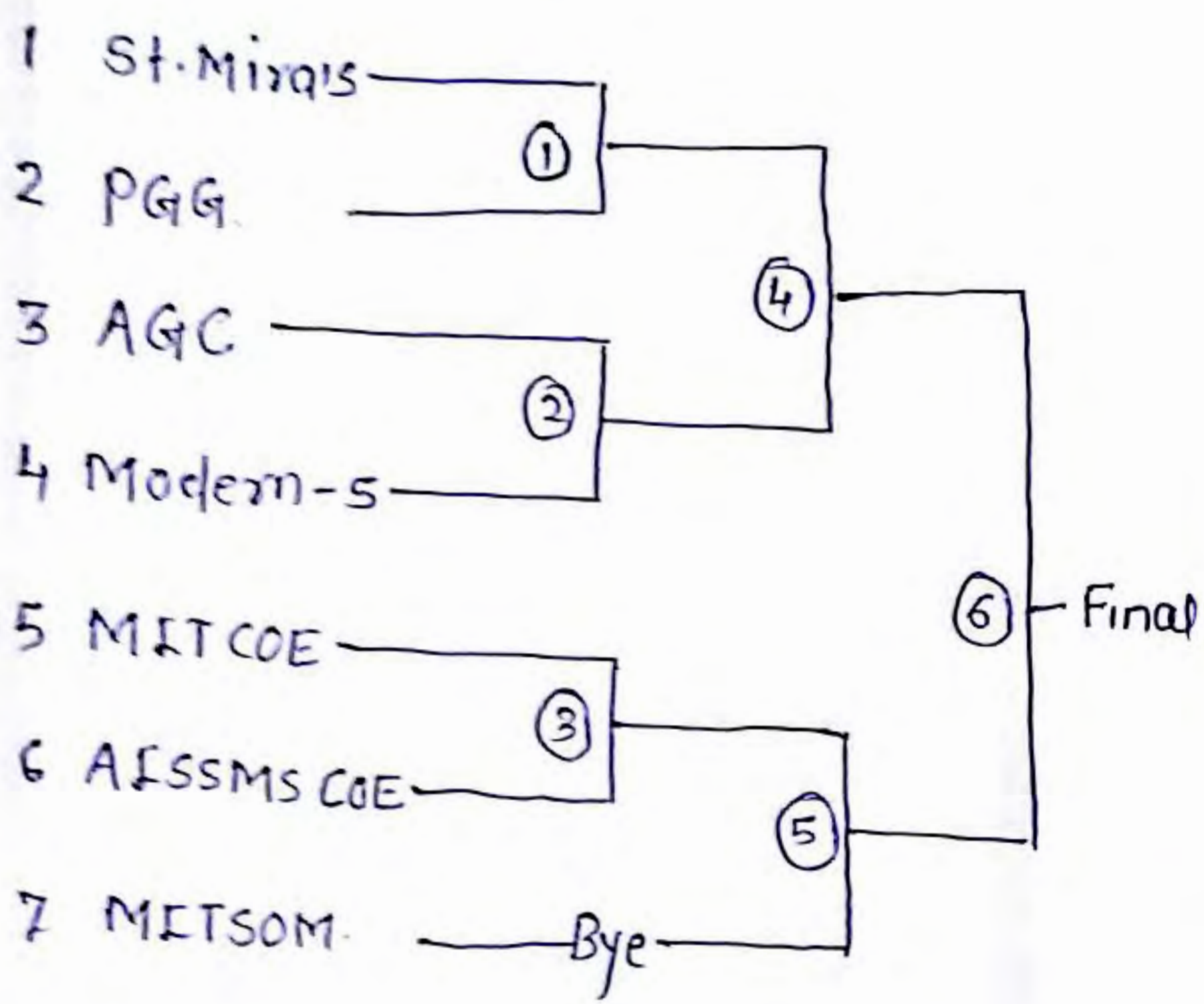
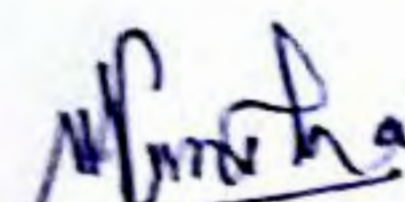




PUNE CITY ZONAL SPORTS COMMITTEE, PUNE  
 INTER COLLEGIATE HANDBALL TOURNAMENT-2015-2016  
 WOMEN- DRAWS


Date- 20th Aug. 2015  
 Venue- Modern College  
 Shivajinagar,  
 Time - 9.00am



  
 Prof. M.A. Parthkar

  
 Prof. Sachin Shinde

  
 Prof. Sudam Shelke

  
 Prof. Vikram Phale  
 Org. Secretary