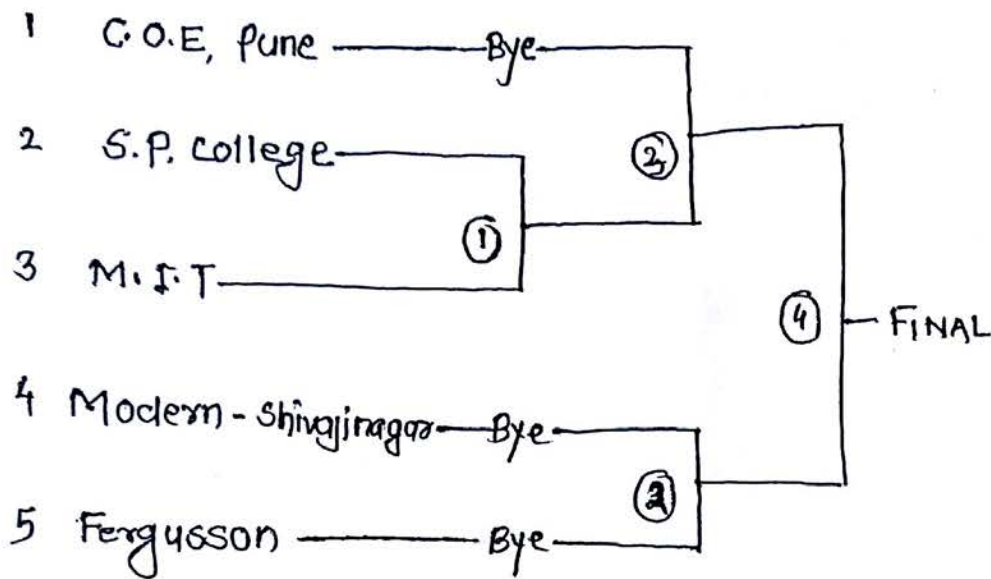


PUNE CITY ZONAL SPORTS COMMITTEE, PUNE
 INTER COLLEGIATE WATERPOLO TOURNAMENT- 2015-2016
 DRAWS

Date - 22/8/2016
 Reporting Time - 8.00



[Signature]
 Prof. Madhukar Pandkar
 Ex. Member

[Signature]
 Prof. Vikram Phale
 J.C. Secretary

[Signature]
 Prof. Asha Bengale
 J.C. Secretary

[Signature]
 Prof. Umesh Bibave
 Secretary

[Signature]
 Prof. Raghav Ash
 Org. Secretary