

PUNE CITY ZONAL SPORTS COMMITTEE, PUNE INTER COLLEGIATE KABADDI TOURNAMENT-2014-2015

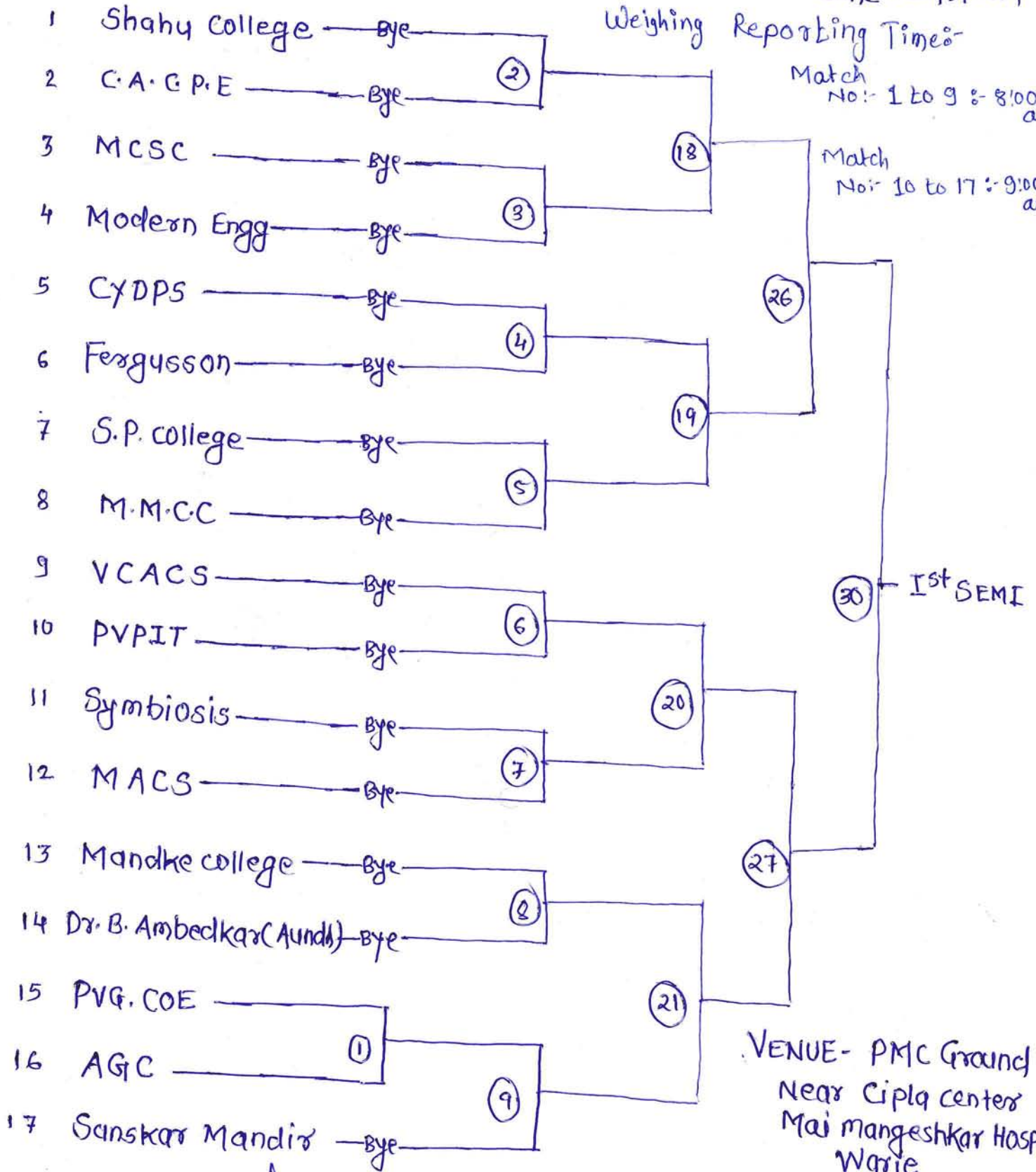
DRAWS - MEN 1st Half

Date - 21/8/2014

Weighing Reporting Time:-

Match No:- 1 to 9 :- 8:00 am

Match No:- 10 to 17 :- 9:00 am



Prof. M. A. Pandkar

Prof. V. ...

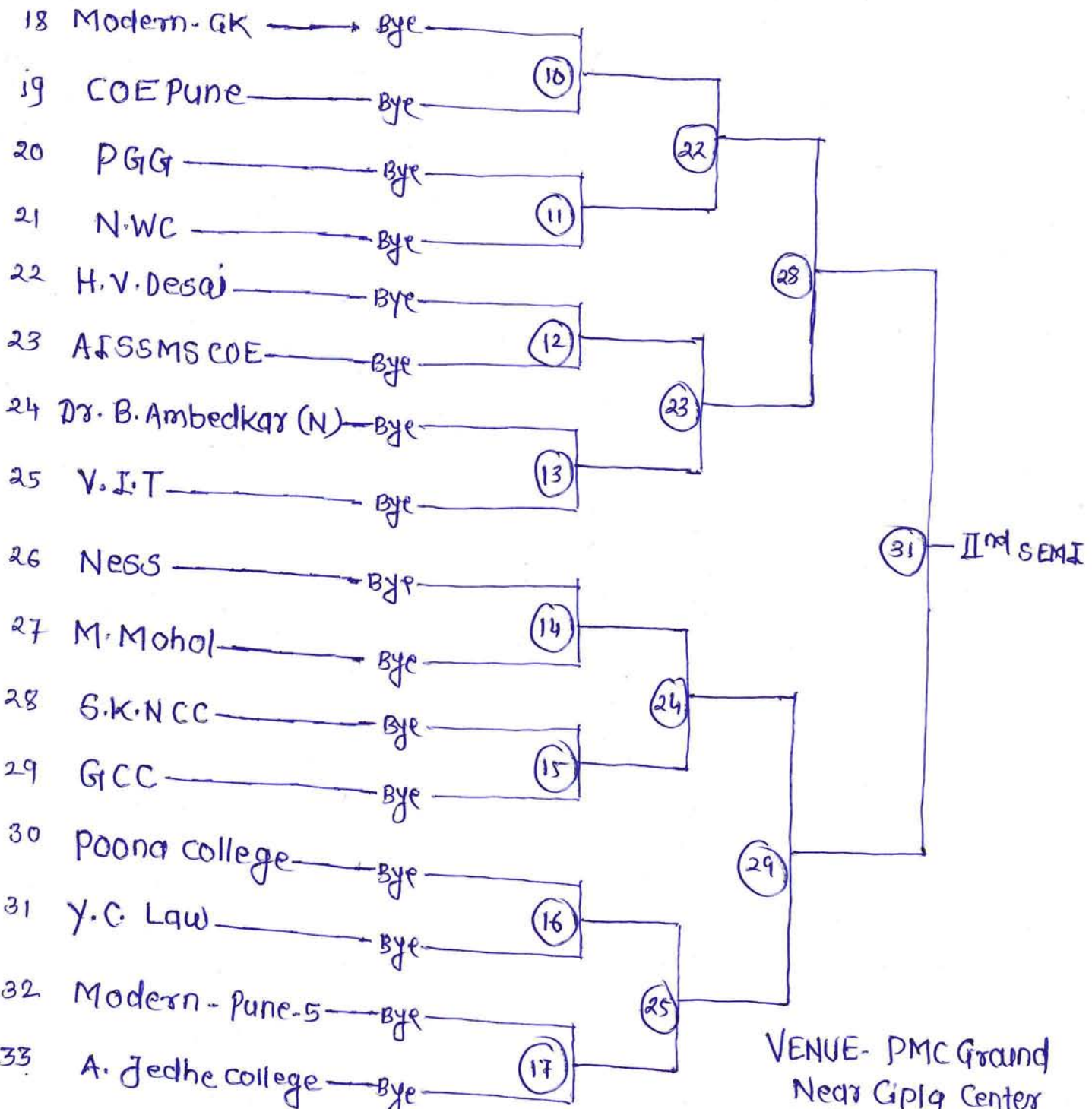
B. S. ...

...

PUNE CITY ZONAL SPORTS COMMITTEE, PUNE
 INTER COLLEGIATE KABADDI TOURNAMENT-2014-2015

DRAWS- MEN
IInd Half

Date:- 21/8/2014



M. A. Pandkar
 Prof. M. A. Pandkar

Vikram Phate
 Prof. Vikram Phate
 I/c Secretary

Umesh Bibave
 Prof. Umesh Bibave
 Secretary

Abhijeet Parase
 Prof. Abhijeet Parase
 Org. Secretary